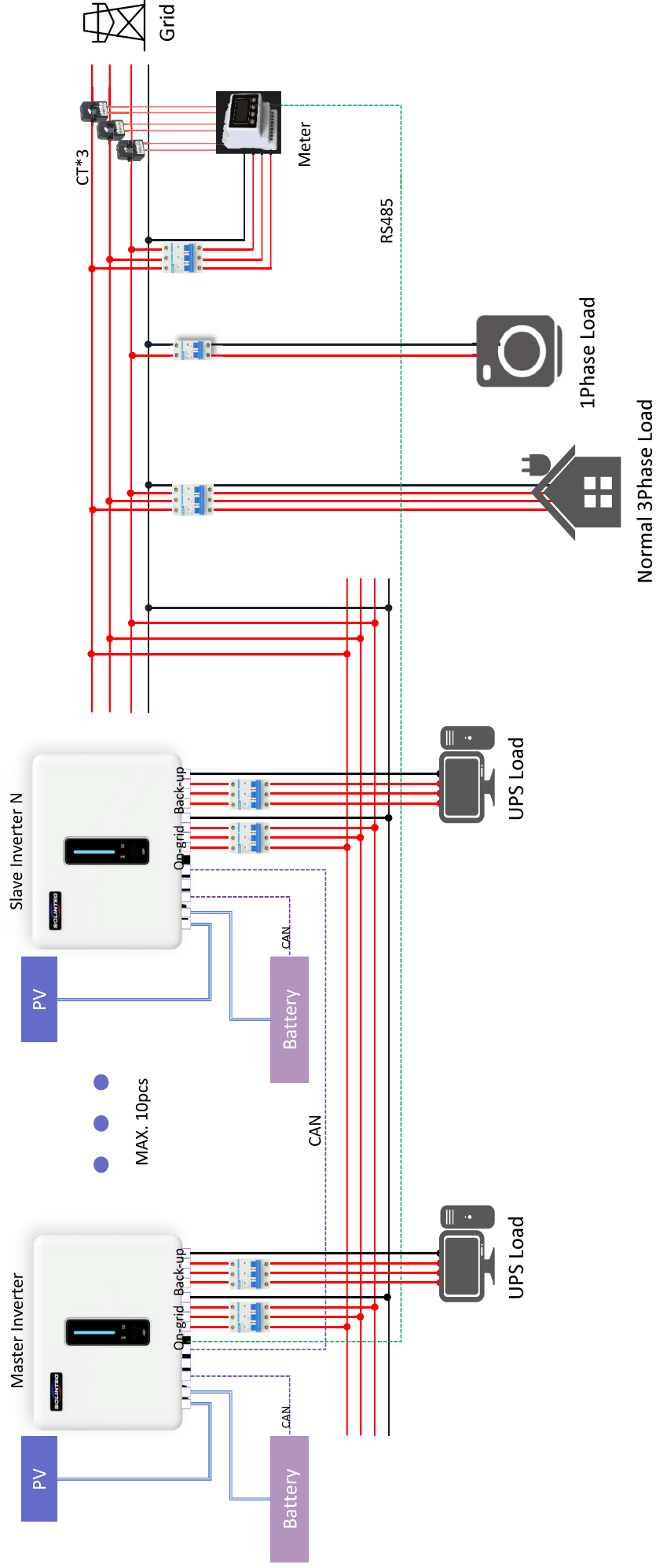


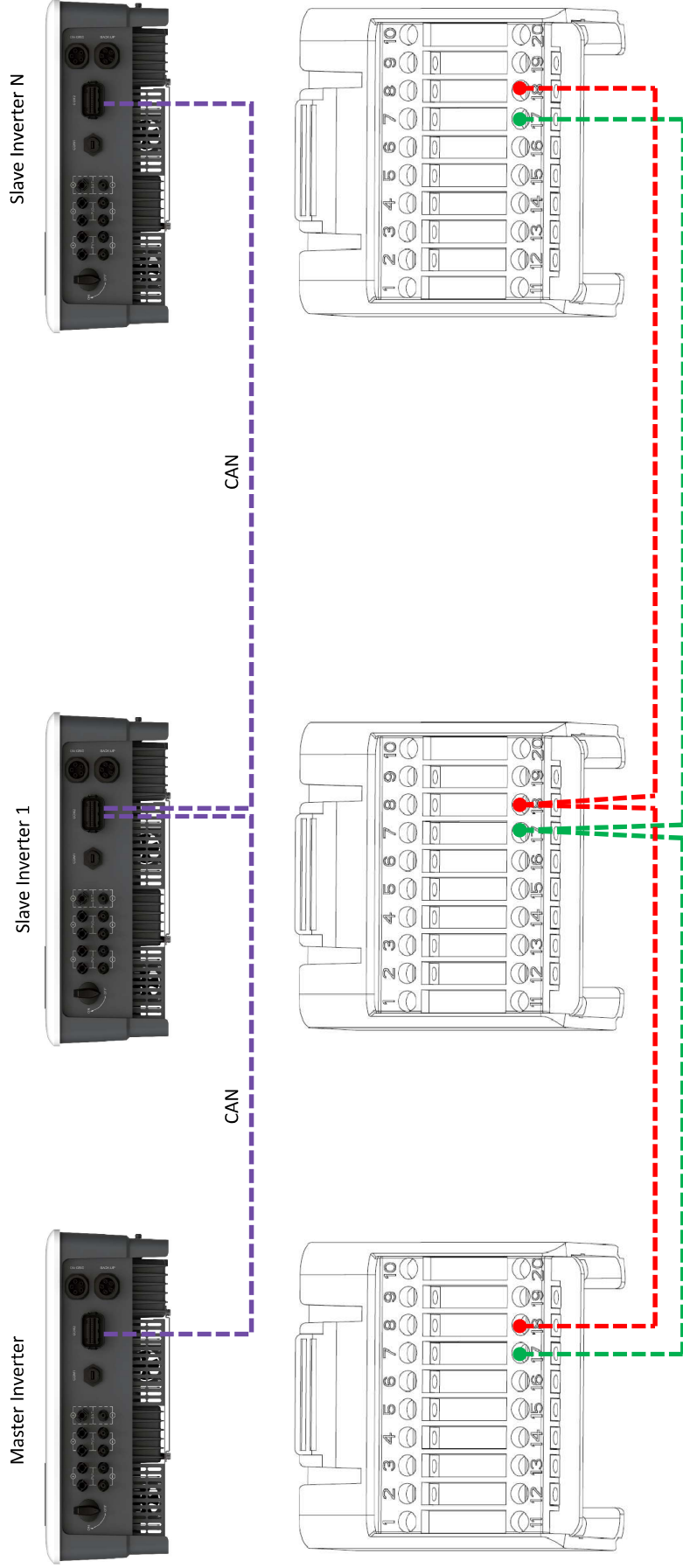
Master Slave Controlling

System Connection Diagram



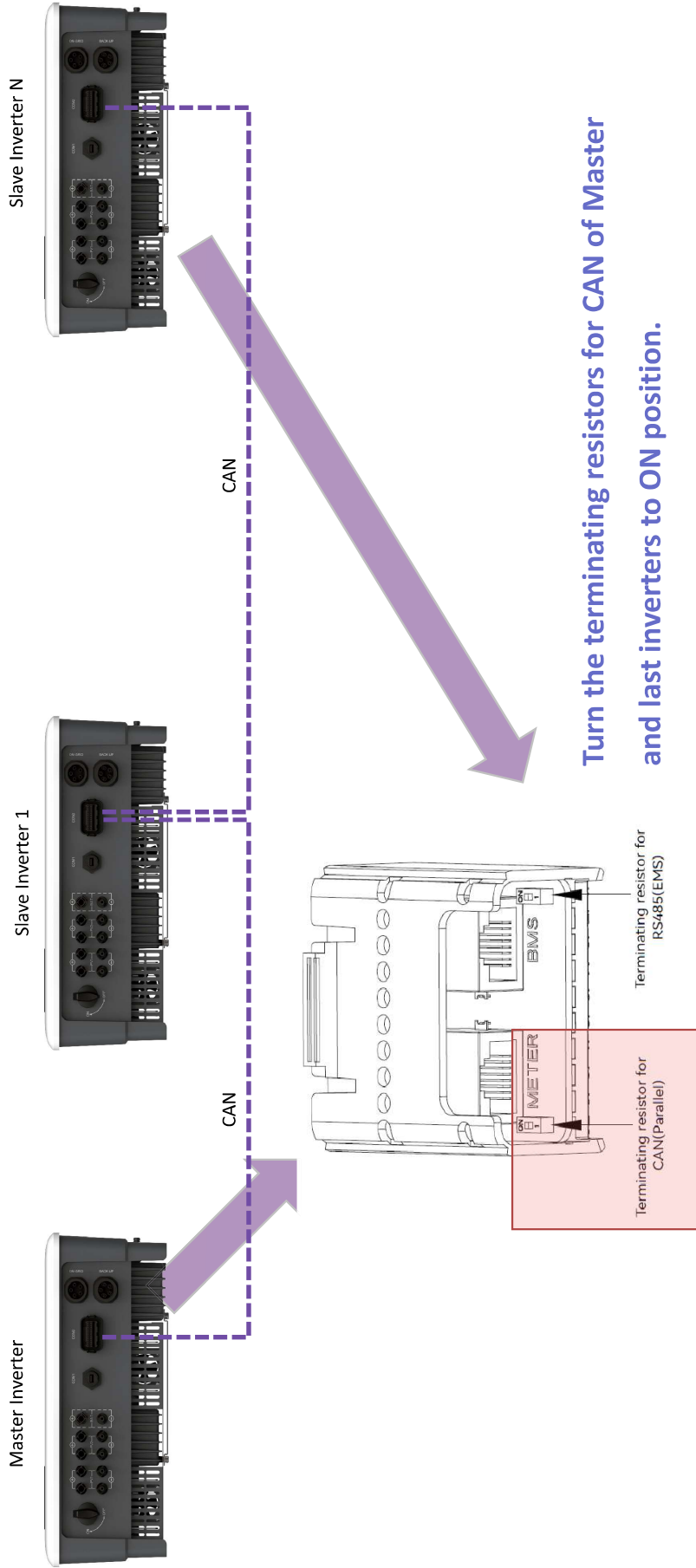
Master Slave Controlling

CAN
Communication
Connection



Master Slave Controlling

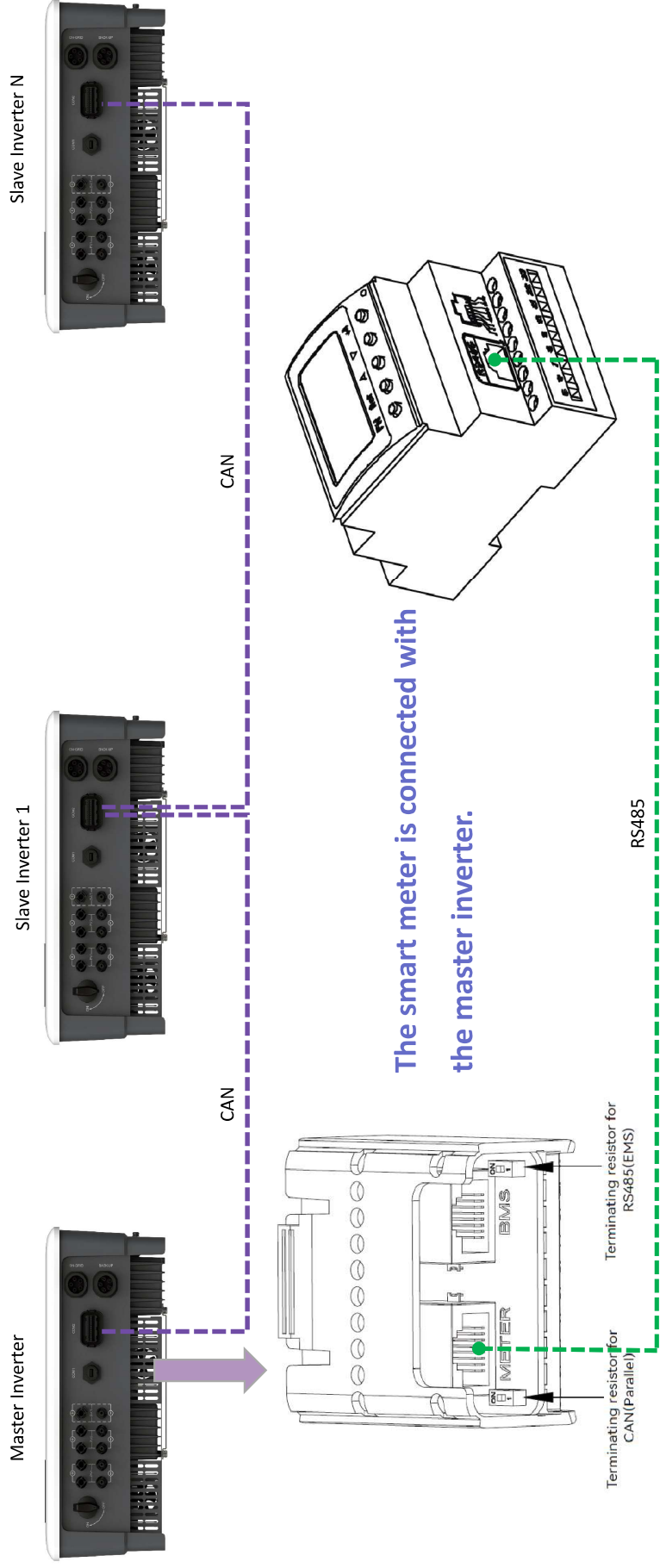
CAN
Communication
Connection



Turn the terminating resistors for CAN of Master
and last inverters to ON position.

**Master
Slave
Controlling**

**Smart Meter
Communication
Connection**



The smart meter is connected with the master inverter.